

ODOM Measurement Certificate

2017 National Championship Regatta

Skipper _____ Sail Number _____

The purpose of this certificate is to insure that all ODOMs are in compliance with the ODOM class rules. All measurements assume the boat is in sailing trim.

RULE 3.3.4 (Keel Fin)

The fin shall be mounted on the centerline of the hull such that the leading edge of the fin is 20" as measured along the bottom contour of the hull from the transom. When mounted, the leading edge of the fin shall be perpendicular to the waterline.

▶ The leading edge of my fin is _____" from the transom.

RULE 3.5.1 (Weight)

The weight of the yacht in sailing trim (including radio receiver, batteries, sail control unit, rudder servo, sails and rigging) and dry, shall be no less than 7 lbs 6 oz.

▶ Weight of my boat _____

RULE 3.6 (Mast)

3.6.2 The length of the mast shall not exceed 56 ½".

3.6.3 (a) A masthead crane, not to extend more than 1/8" above the top of the mast is permitted

▶ My mast length (including crane if applicable) _____

3.6.5 Masts shall be mounted on the deck above the centerline of the hull. The distance from the bow to the centerline of the mast shall be between 17 ½" and 19 ½".

▶ Location of the center of my mast _____

RULE 3.9 (Sails)

3.9.3 (a) Mainsails shall comply with the measurements in Figure 1. (see attached Sail Plan)

3.9.4 (a) Jibs shall comply with the measurements in Figure 1. (see attached Sail Plan)

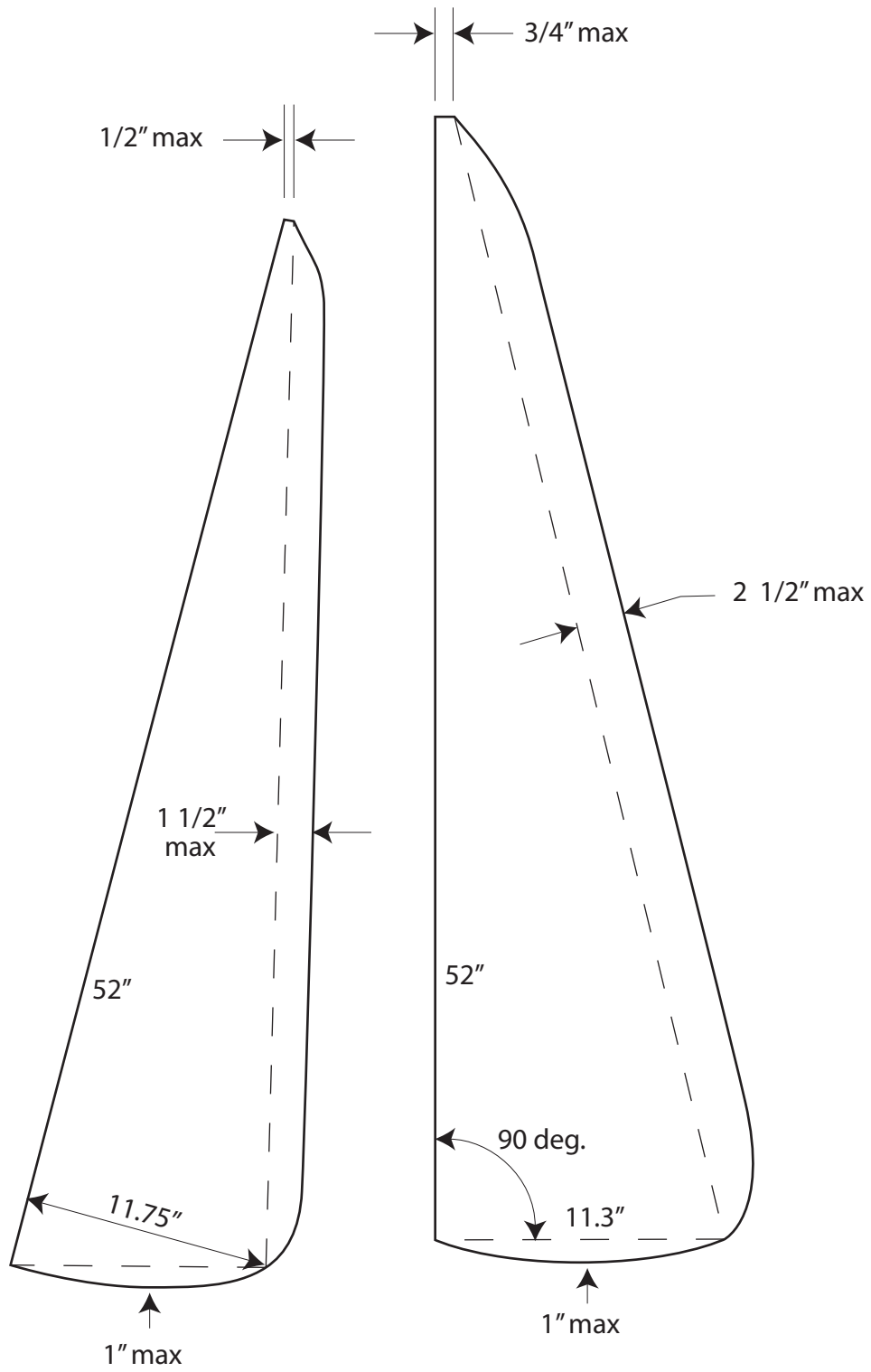
▶ Yes, my sails comply with attached Sail Plan.

measured by:

witnessed by:

sign and date

sign and date



SAIL PLAN

Figure 1